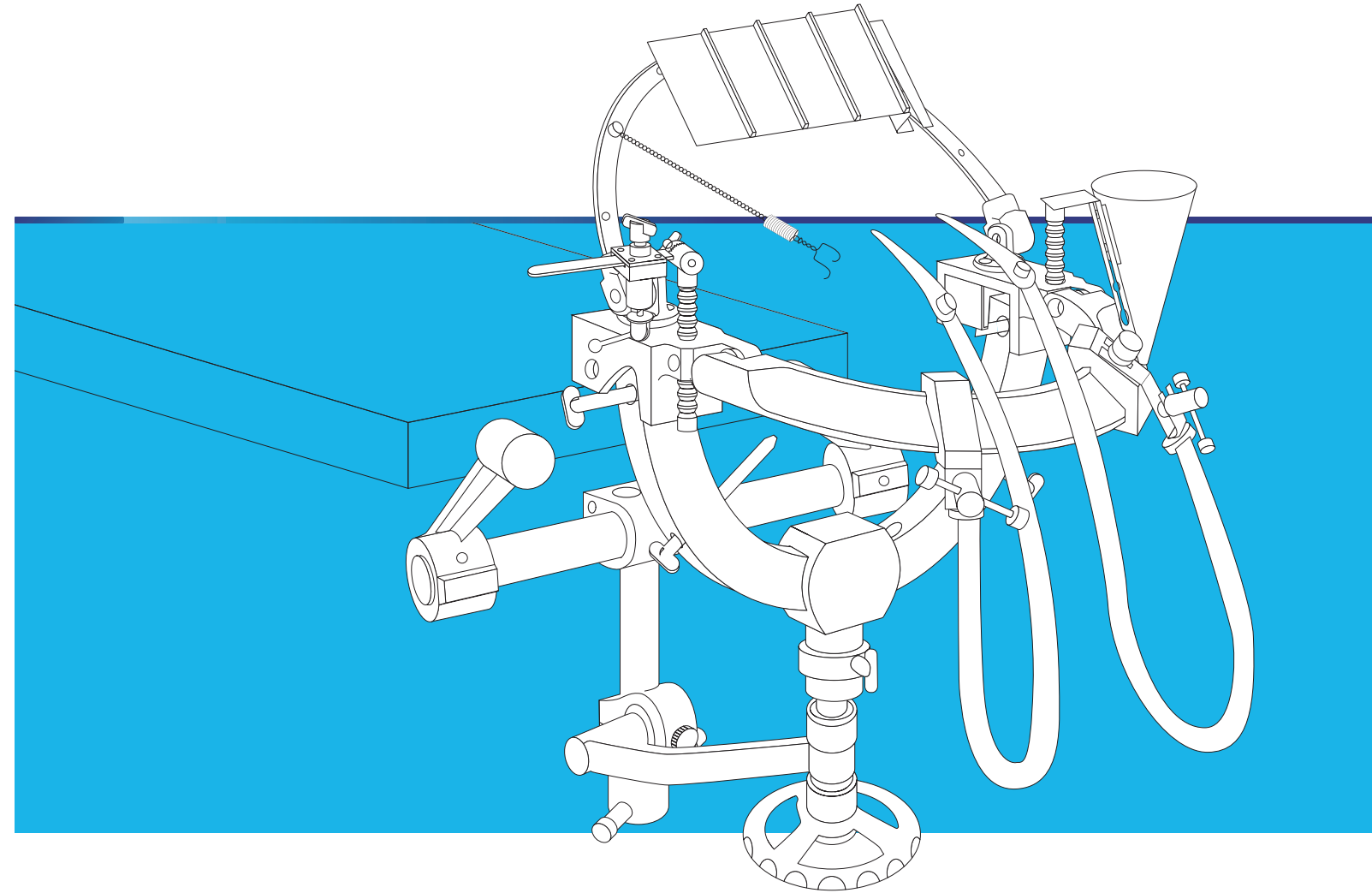


Replacement Parts List



Replacement Parts List

Multi-purpose Head Frame
 Radiolucent Head Frame
 Clip Applicators

Mizuho Medical Co.,Ltd.


MIZUHO Building 3, 3-29-3 Hongo,
 Bunkyo-ku, Tokyo 113-0033, JAPAN

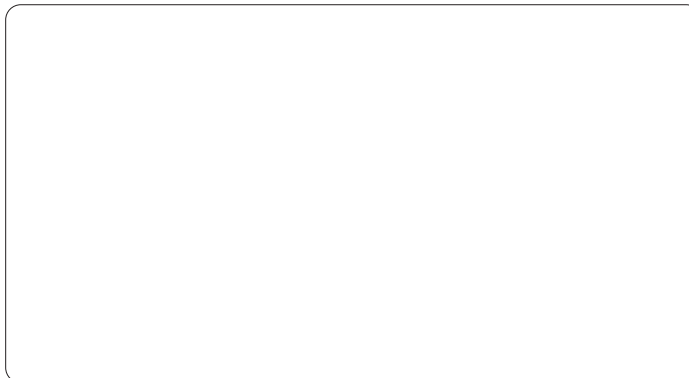
Phone +81-3-3815-7101
 Fax +81-3-3815-1705
 URL www.mizuhomedical.co.jp
 E-mail marketing@mizuhomedical.co.jp

Mizuho America Inc.

30057 Ahern Avenue Union City, CA 94587
 Phone No.800 699 2547

Manufacturer
MIZUHO Corporation
 Tokyo, JAPAN

 Caution	<ul style="list-style-type: none"> • Be sure not to use the product until you have carefully read the instruction manual and attached document and correctly understood their contents. • Be sure to carry out without fail the periodic inspections and the pre- and post-operative inspections. • For details about after-the-sale service be sure to inquire at our Sales Branches or the dealer from whom you have purchased this product.
---	---



* Under our policy, ongoing improvements and published specifications may be subject to change without prior notice.
 * All published CG photos and illustrations have been from images.

BASAL FRAME AND ACCESSORIES

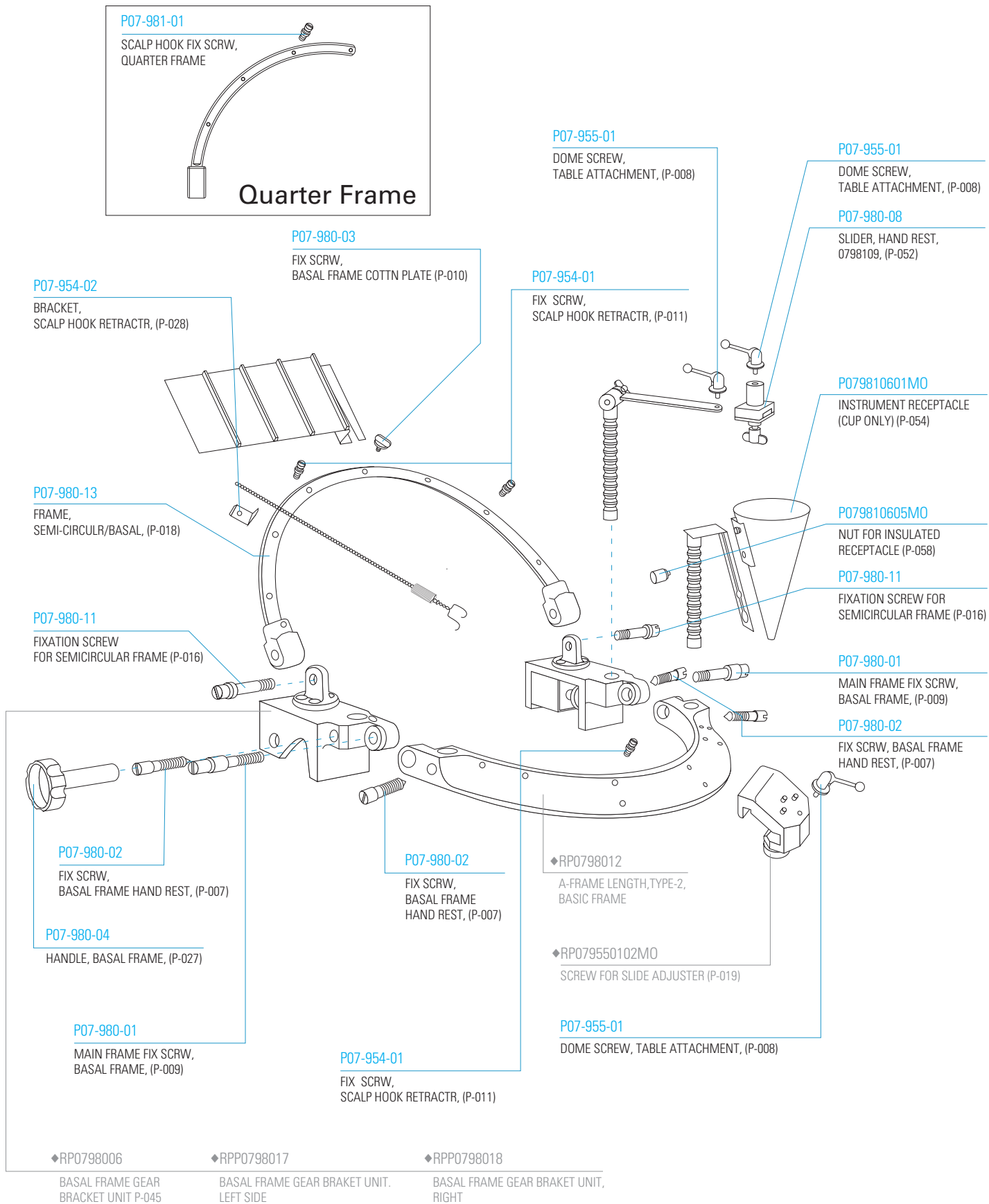
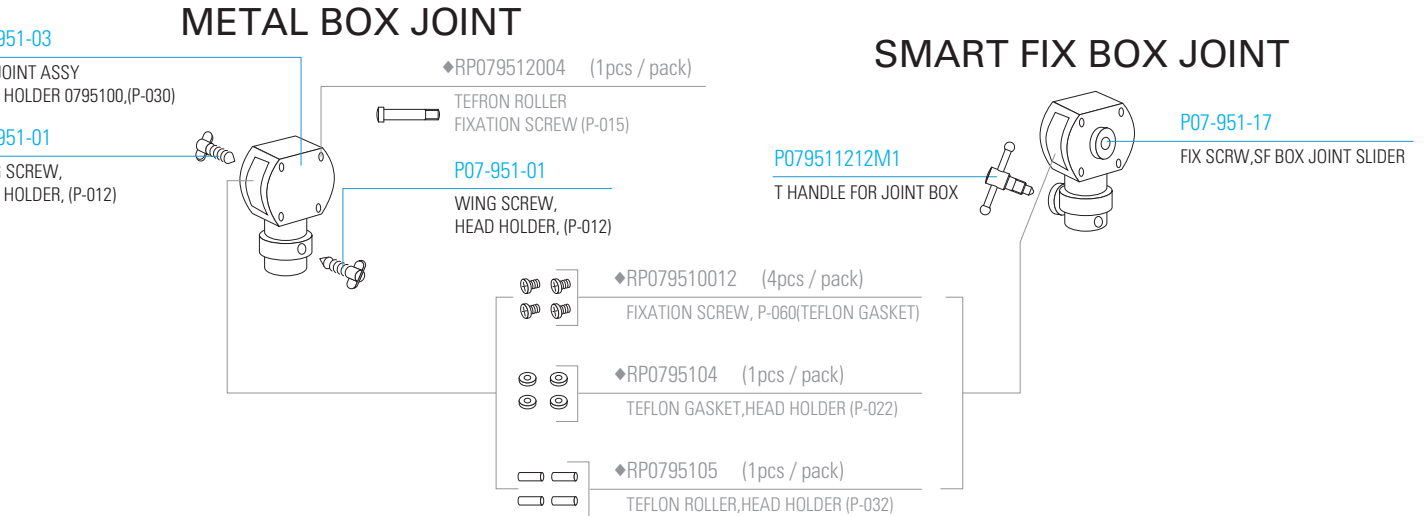
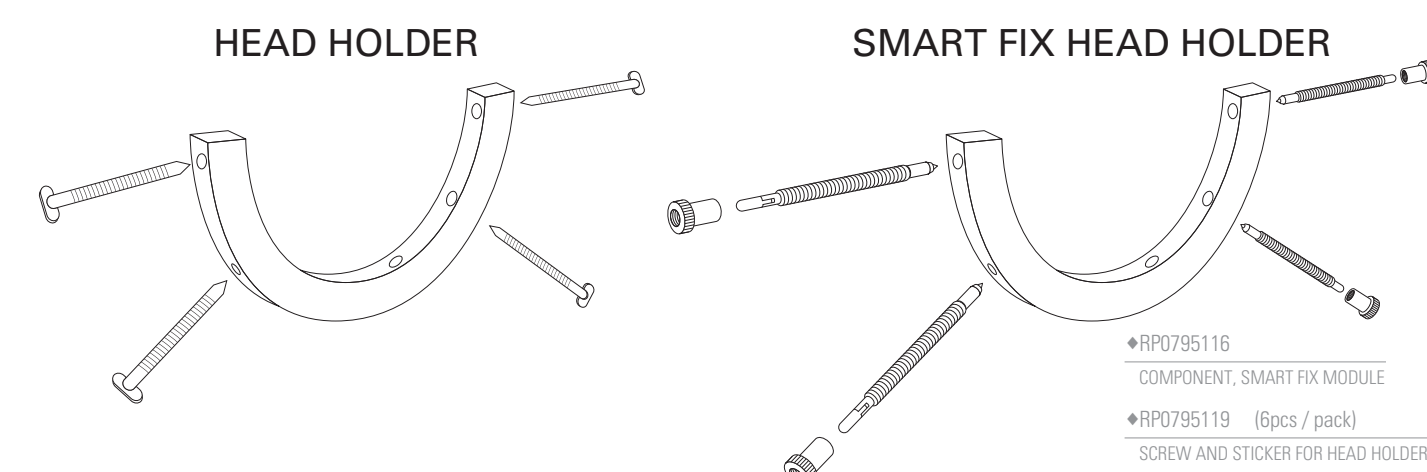
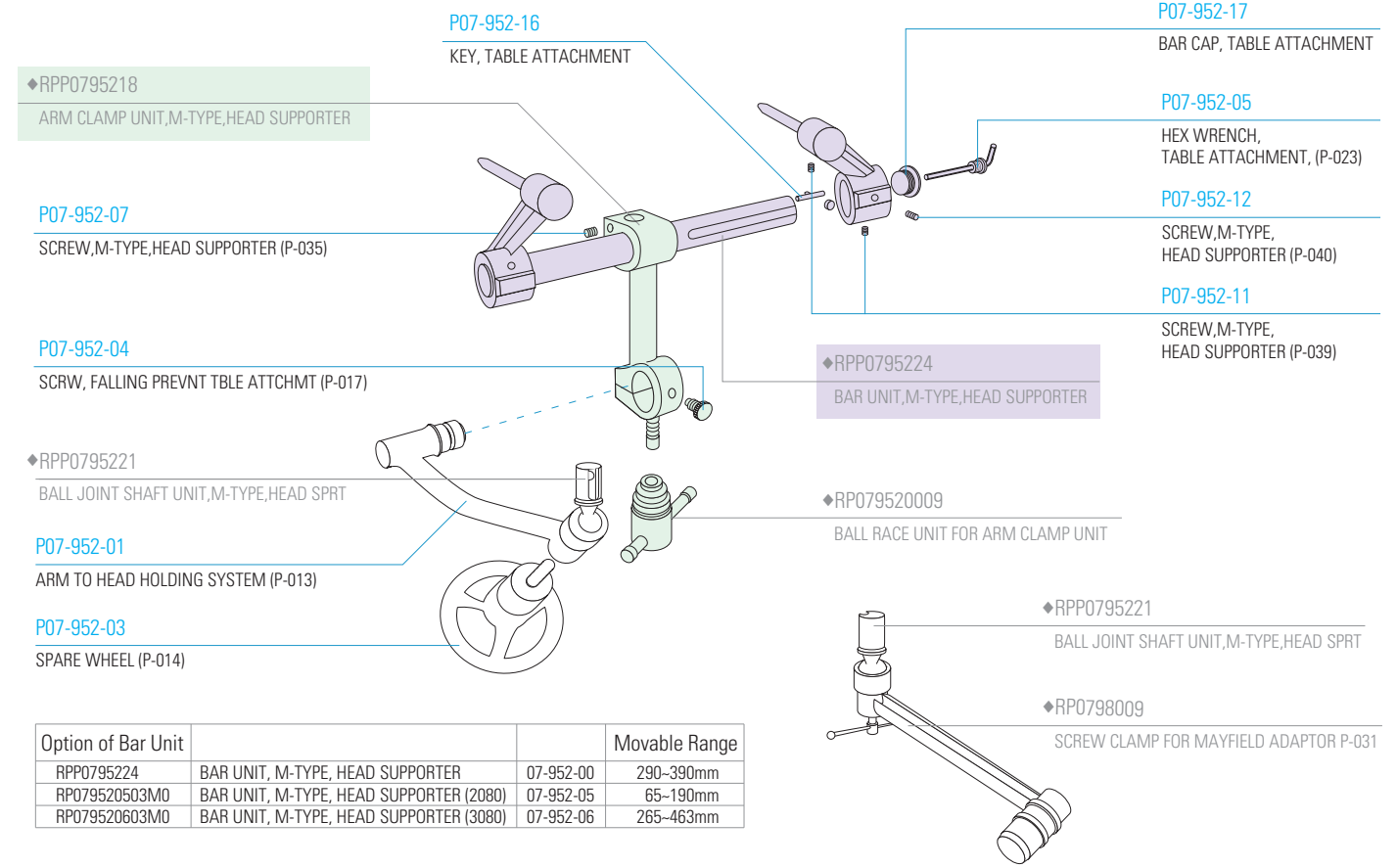
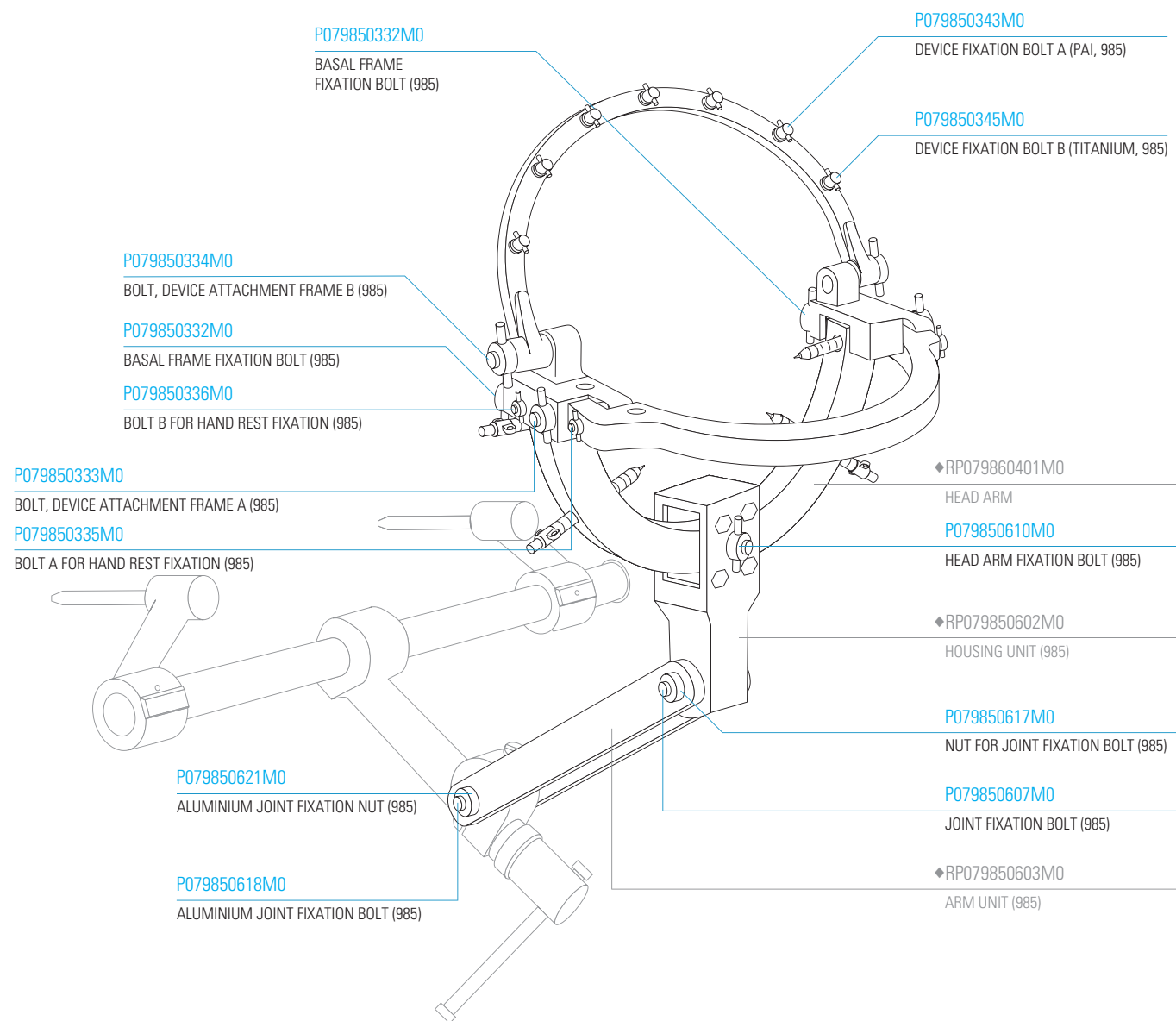
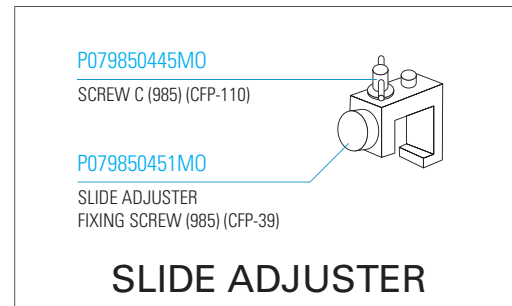


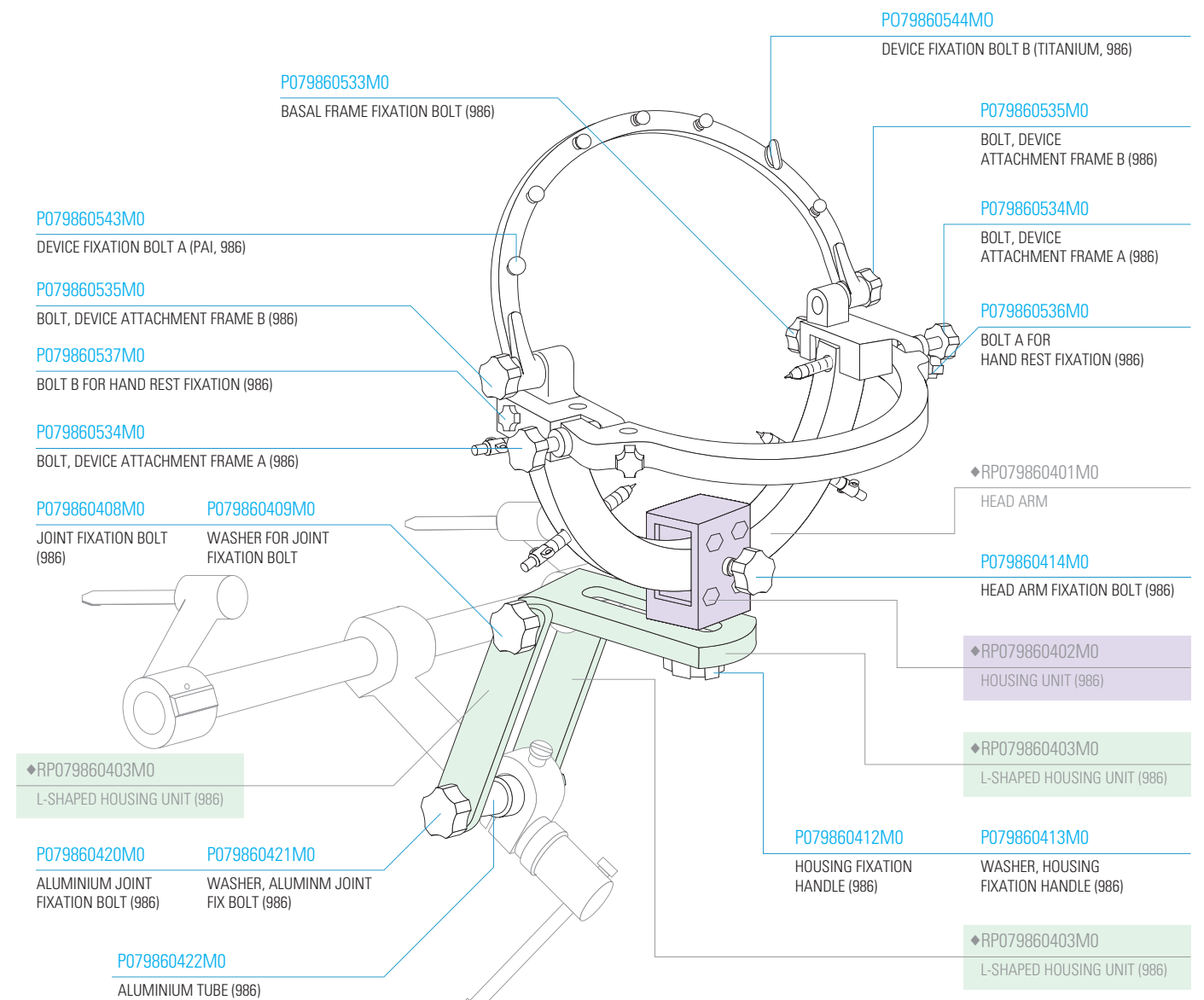
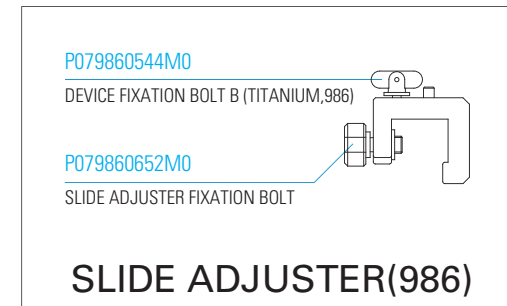
TABLE ATTACHMENT



RADIOLUCENT HEAD FRAME (985)



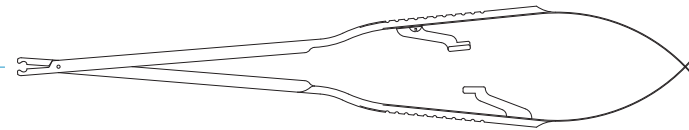
RADIOLUCENT HEAD FRAME (986)



AVM Micro Clip Applier

Ⓐ 07-935-10

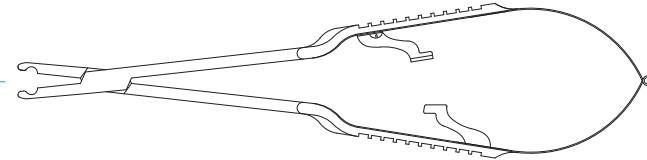
Sugita AVM Micro Clip Applier



Clip Applier for Elgiroy Clips & T1 Clips

Ⓑ 07-941-01

Sugita Clip Applier for Elgiroy Clips



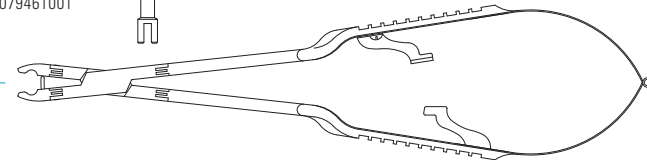
for 07-946-00
P07-946-01

for 07-946-10
P079461001



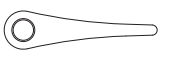
Ⓒ 07-946-00 / 07-946-10

Sano Type



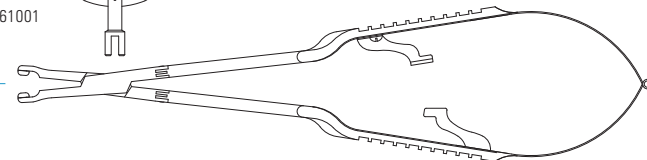
for 07-947-00
P07-947-01

for 07-947-10
P079461001



Ⓓ 07-947-00 / 07-947-10

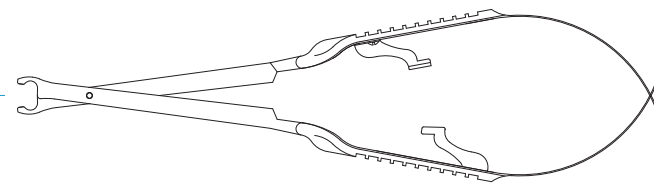
Sano Type



Clip Applier for T2 Clips

Ⓔ 17-012-51

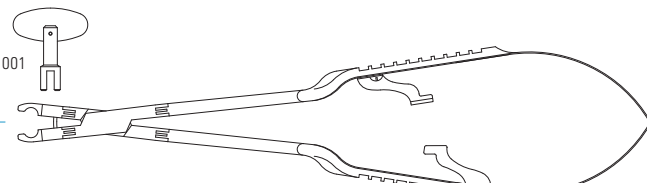
Sugita Titanium Clip Applier for T2



P079461001

Ⓕ 17-012-09

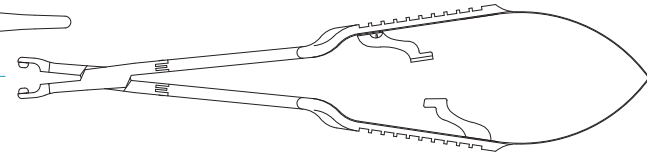
Sano Type



P170121001

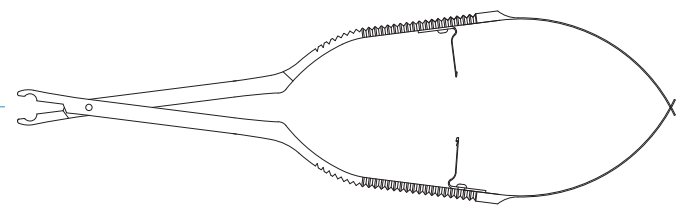
Ⓖ 17-012-10

Sano Type



Ⓖ 17-015-01

Fukushima Keyhole Clip Applier



Type of Appliers	Product Code	Description	Catches	Spring Fixing Bracket	Adjusting Key			
AVM Micro Clip Applier								
Sugita AVM Micro Clip Applier	Ⓐ 07-935-10	Sugita AVM Micro Clip Applier	◆RP079351004 CATCHES W/SCREWS FOR AVM APPLIER	—	—			
	07-935-20	Sugita AVM Micro Clip Applier						
Sugita Clip Applier for Elgiroy Clips								
Sugita Clip Applier for Elgiroy Clips	Ⓑ 07-941-01	Straight for Standard / Large Clips	◆RP079410102 CATCHES W/SCREWS, SUGITA APPLIER NEW	◆RP079410104 SPRING FIXING BRACKET FOR APPLIER	—			
	07-941-02	15°Angled for Standard / Large Clips						
	07-941-03	30°Angled for Standard / Large Clips						
	07-941-04	Sideward Angled for Standard / Large Clips						
	07-941-60	Straight 21.5cm Length for Standard / Large Clips						
	07-942-01	Straight for Mini Clips						
	07-942-02	30°Angled for Mini Clips						
	07-942-62	Straight 21.5cm Length for Mini Clips						
	07-942-64	Sideward Angled for Mini Clips						
	07-948-10	Straight for Long Clips						
Sano Type	Ⓒ 07-946-00	Sano Type Double Action for Standard / Large Clips	◆RP079410102 CATCHES W/SCREWS, SUGITA APPLIER NEW	◆RP079410104 SPRING FIXING BRACKET FOR APPLIER	P07-946-01 ADJUSTING KEY FOR ELG STD,DBL ACTION			
	07-950-12	Sano Type Double Action for Mini Clips	◆RP079410103	◆RP079420104 SPRING FIXING BRACKET, APPLIER BLACK				
	Ⓓ 07-947-00	Sano Type All-Angle for Standard / Large Clips	◆RP079410102 CATCHES W/SCREWS, SUGITA APPLIER NEW	◆RP079410104 SPRING FIXING BRACKET FOR APPLIER	P07-947-01 ADJUSTING KEY FOR ELG STD,ALL-ANGLE			
	07-950-13	Sano Type All-Angle for Mini Clips						
Sugita Titanium Clip Applier for T1 Clips								
Sugita Titanium Clip Applier for T1 Clips	Ⓑ 07-941-31	Straight for Standard Clips	◆RP079410102 CATCHES W/SCREWS, SUGITA APPLIER NEW	—	—			
	07-941-32	15°Angled for Standard Clips						
	07-941-33	30°Angled for Standard Clips						
	07-941-41	Straight for Fenestrated Clips						
	07-941-42	15°Angled for Fenestrated Clips						
	07-941-43	30°Angled for Fenestrated Clips						
	07-942-31	Straight for Mini Clips						
	07-942-32	30°Angled for Mini Clips						
	Ⓒ 07-946-10	Sano Type Double-Action for Standard / Large Clips						
	07-946-11	Sano Type Double-Action for Mini Clips						
Sano Type	07-946-12	Sano Type Double-Action for Fenestrated Clips	◆RP079410104 SPRING FIXING BRACKET FOR APPLIER	P079461001 ADJUSTING KEY,TI SANO DBL ACTN APPLIER				
	Ⓓ 07-947-10	Sano Type Multi-Angle for Standard / Large Clips		P079471101 ADJUSTING KEY FOR T1 MINI,ALL-ANGLE				
	07-947-11	Sano Type Multi-Angle for Mini Clips		P079471201 ADJUSTING KEY FOR T1 FENE,ALL-ANGLE				
	07-947-12	Sano Type Multi-Angle for Fenestrated Clips						
Sugita Titanium Clip Applier for T2 Clips								
Sugita Titanium Clip Applier for T2 Clips	Ⓔ 17-012-51	Straight 70mm for Standard Clips	◆RP079410102 CATCHES W/SCREWS, SUGITA APPLIER NEW	—	—			
	17-012-52	Straight 90mm for Standard Clips						
	17-012-53	Straight 110mm for Standard Clips						
	17-012-54	15°Angled for Standard Clips						
	17-012-55	30°Angled for Standard Clips						
	17-012-58	Sideward Angled for Standard Clips						
	17-013-51	Straight 70mm for Mini Clips						
	17-013-52	Straight 90mm for Mini Clips						
	17-013-53	Straight 110mm for Mini Clips						
	17-013-54	15°Angled for Mini Clips						
	17-013-55	30°Angled for Mini Clips						
	17-013-58	Sideward Angled for Mini Clips						
	17-014-52	Straight 90mm for Long Clips						
	17-014-54	15°Angled for Long Clips						
	Sano Type	Ⓕ 17-012-09				Sano Double Action for Standard Clips	◆RP079410104 SPRING FIXING BRACKET FOR APPLIER	P079461001 ADJUSTING KEY,TI SANO DBL ACTN APPLIER
		17-013-09				Sano Double Action for Mini Clips		P170121001 ANGLE ADJUSTMENT KEY FOR TI-STD
		Ⓖ 17-012-10				Sano All-Angle for Standard Clips		P170131001 ANGLE ADJUSTMENT KEY FOR TI-MINI
		17-012-60				Applier with the swivel ends, for Standard Clips		
17-013-10		Sano All-Angle for Mini Clips						
17-013-60		Applier with the swivel ends, for Mini Clips						
Fukushima Keyhole Clip Applier	Ⓖ 17-015-01	Standard Straight	◆RP170150105 CATCHES W/SCREW, FUKUSHIMA CLIP APPLIER	—	—			
	17-015-02	Standard 5 degree Angled Up						
	17-015-03	Standard 10 degree Angled Up						
	17-015-04	Standard 15 degree Angled Up						
	17-015-05	Standard 15 degree Angled Down						
	17-015-06	Standard 30 degree Angled Up						
	17-015-07	Standard 45 degree Angled Up						
	17-015-08	Standard Right						
	17-015-09	Standard Left						
	17-015-10	Standard Far Right						
	17-015-11	Standard Far Left						
	17-015-21	Mini Straight						
	17-015-23	Mini 10 degree Angled Up						
	17-015-24	Mini 15 degree Angled Up						
	17-015-25	Mini 15 degree Angled Down						
	17-015-26	Mini 30 degree Angled Up						
	17-015-29	Mini Right						
	17-015-30	Mini Left						
	17-015-31	Long Straight						
	17-015-32	Mini Far Right						
	17-015-33	Mini Far Left						